

# Model Overview

## Audi A2

Model name	Model cycle	Site
A2	2000 – 2005	3

**Legal Disclaimer:**

**This manual has been created exclusively for rescuers who have been specially trained in the area of providing emergency rescue after automobile accidents and who are therefore qualified to use the activities described in this manual. Furthermore, this manual shows the maximum possible equipment specification in the model overview.**

**Vehicle specifications and special options as well as Audi model availability are constantly subject to change. Therefore, Audi reserves the right to change the content of this manual at all times.**

**Please note: The information contained in this manual is not intended for customers or for repair shops and dealers. Customers may gather detailed information from their vehicle owner's manual regarding vehicle function as well as any occupant safety features and system descriptions.**

**Repair shops and dealers obtain repair information through their normal channels.**

**(Status: 09/2019)**



**Hint:**

**The maximum possible equipment specification is always shown in the model overview.**

You will find "Rescue and Recovery involving Audi Vehicles" in a separate part of the same title.

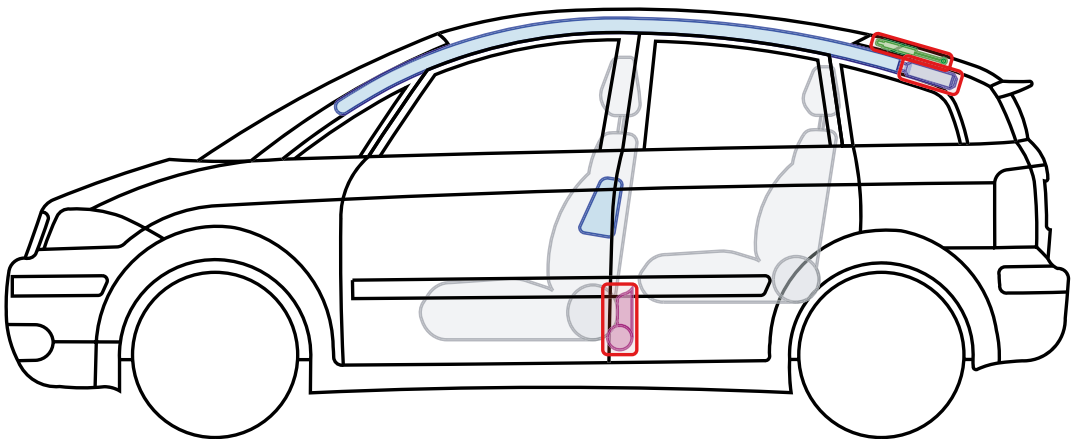
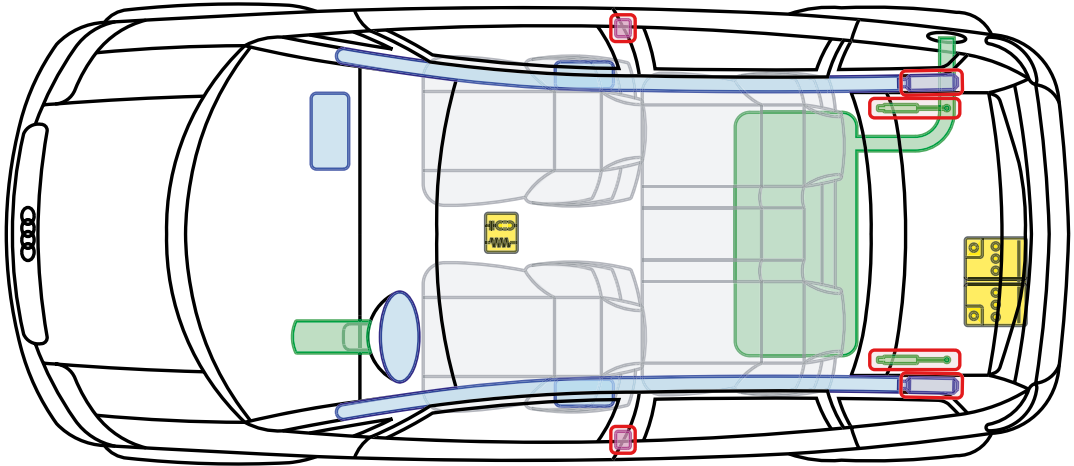
The creation of this Rescue Data sheets is supported by Moditech Rescue Solutions ([www.moditech.com](http://www.moditech.com)). The vehicle overviews in the attachment are also included in interactive form in the data base "Crash Recovery System".

This document is a subject to the copyright of AUDI AG, Ingolstadt. Any duplication, distribution, storage, communication, broadcast and reproduction or transmission of the contents without written approval from AUDI AG is prohibited.

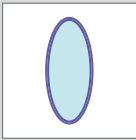
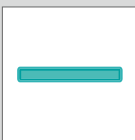

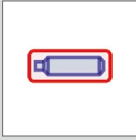

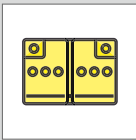
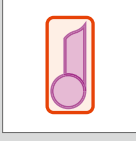
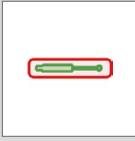



▶ Audi A2

2000 – 2005



Legend

	Airbag		Reinforcement		Control module
	Gas generator		Rollover protection		Battery
	Pre-tensioner		Gas-pressure damper		Fuel tank

This document is a subject to the copyright of AUDI AG, Ingolstadt. Any duplication, distribution, storage, communication, broadcast and reproduction or transmission of the contents without written approval from AUDI AG is prohibited.