




Model Overview

Audi 80, 100, 200

Model name	Model cycle	Site
 Audi 80		
Audi 80 / S2	1990 – 1995	3
Audi 80 / S2 / RS2 Avant	1992 – 1995	4
Audi 80 / S2 Coupé	1988 – 1996	5
Audi 80 Cabriolet	1991 – 2000	6
 Audi 100		
Audi 100	1988 – 1991	7
Audi 100 Avant	1988 – 1991	8
Audi 100 / A6 / S6	1991 – 1997	9
Audi 100 / A6 / S6 Avant	1991 – 1997	10
 Audi 200		
Audi 200 / V8	1984 – 1991	11
Audi 200 Avant	1985 – 1991	12

Legal Disclaimer:

This manual has been created exclusively for rescuers who have been specially trained in the area of providing emergency rescue after automobile accidents and who are therefore qualified to use the activities described in this manual. Furthermore, this manual shows the maximum possible equipment specification in the model overview.

Vehicle specifications and special options as well as Audi model availability are constantly subject to change. Therefore, Audi reserves the right to change the content of this manual at all times.

Please note: The information contained in this manual is not intended for customers or for repair shops and dealers. Customers may gather detailed information from their vehicle owner's manual regarding vehicle function as well as any occupant safety features and system descriptions.

Repair shops and dealers obtain repair information through their normal channels.

(Status: 09/2019)



Hint:

The maximum possible equipment specification is always shown in the model overview.

You will find "Rescue and Recovery involving Audi Vehicles" in a separate part of the same title.

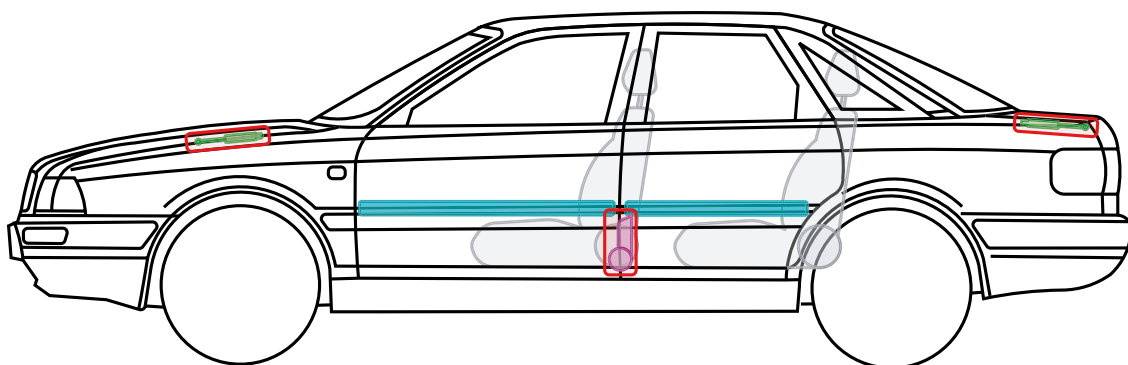
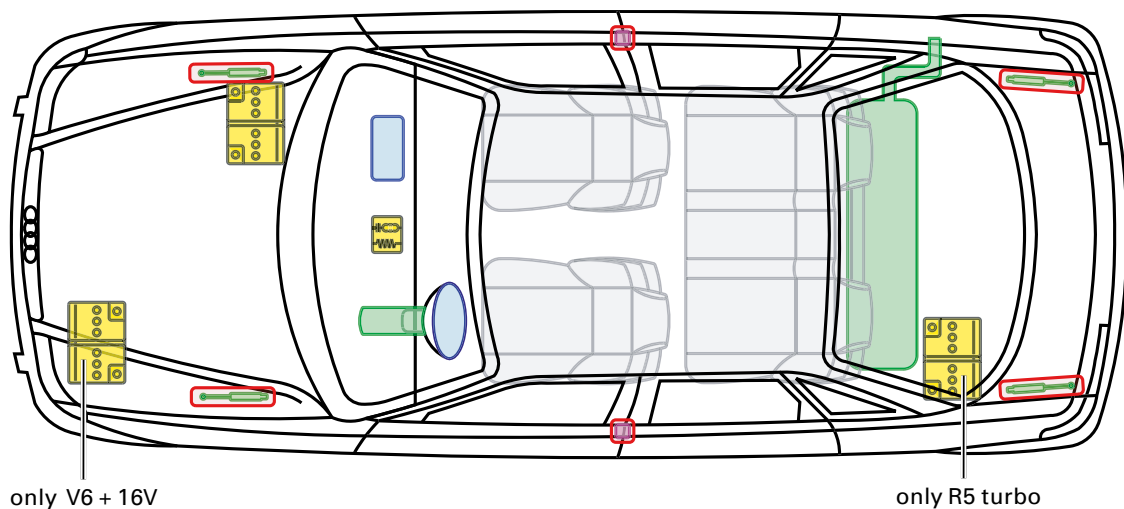
The creation of this Rescue Data sheets is supported by Moditech Rescue Solutions (www.moditech.com). The vehicle overviews in the attachment are also included in interactive form in the data base "Crash Recovery System".

This document is a subject to the copyright of AUDI AG, Ingolstadt. Any duplication, distribution, storage, communication, broadcast and reproduction or transmission of the contents without written approval from AUDI AG is prohibited.



▶ Audi 80 / S2

1990 – 1995



Legend

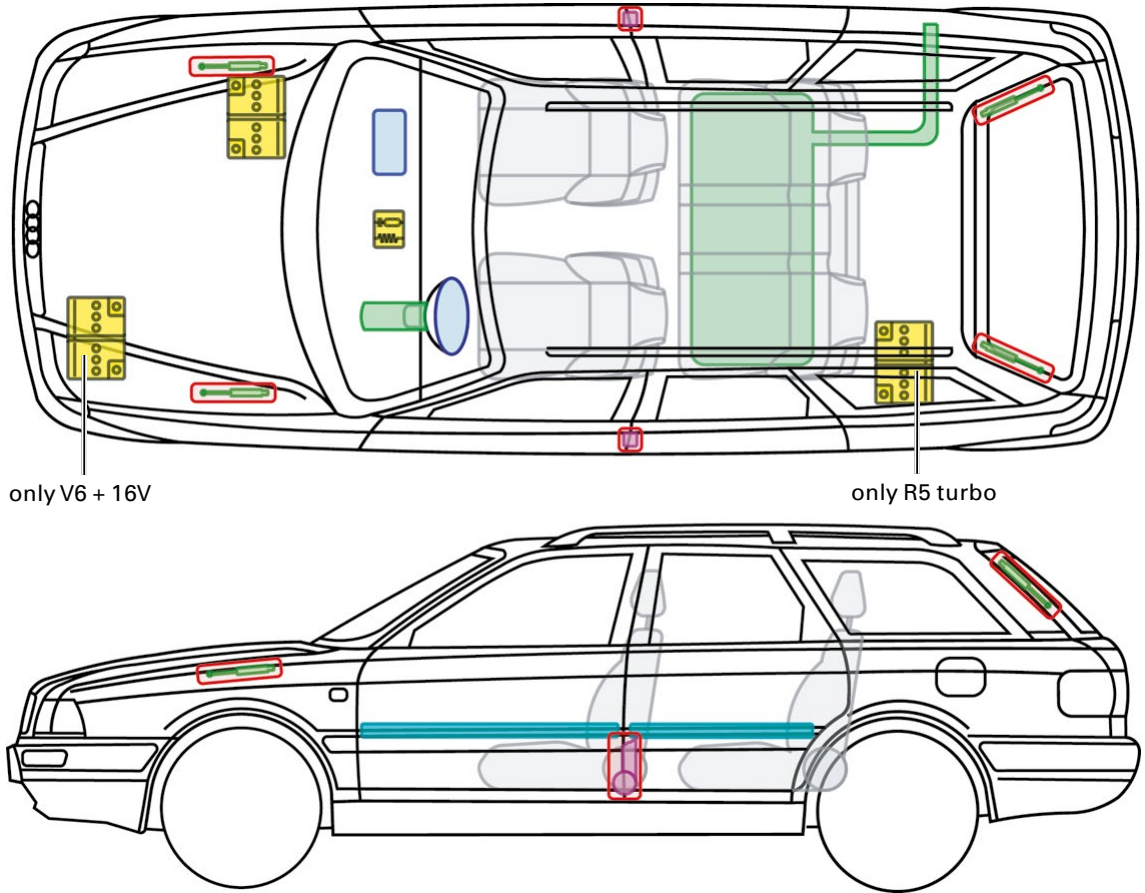
	Airbag		Reinforcement		Control module
	Gas generator		Rollover protection		Battery
	Pre-tensioner		Gas-pressure damper		Fuel tank

This document is a subject to the copyright of AUDI AG, Ingolstadt. Any duplication, distribution, storage, communication, broadcast and reproduction or transmission of the contents without written approval from AUDI AG is prohibited.



▶ Audi 80 / S2 / RS2 Avant

1992 – 1995



Legend

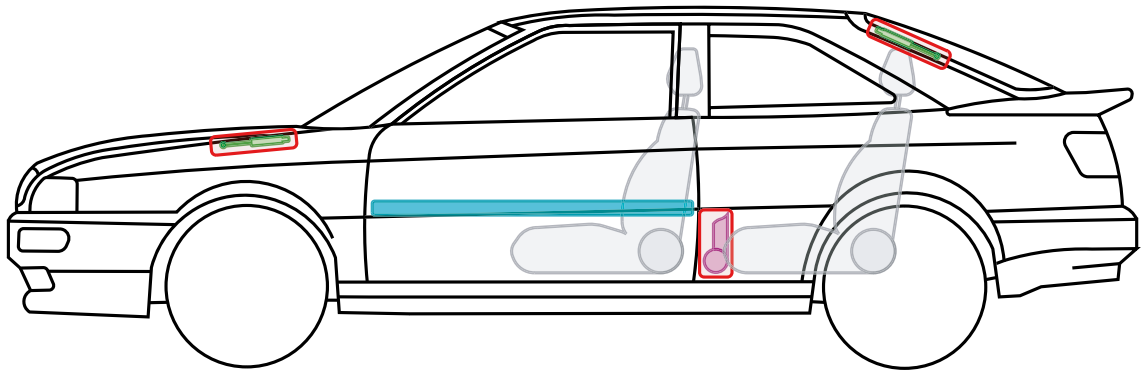
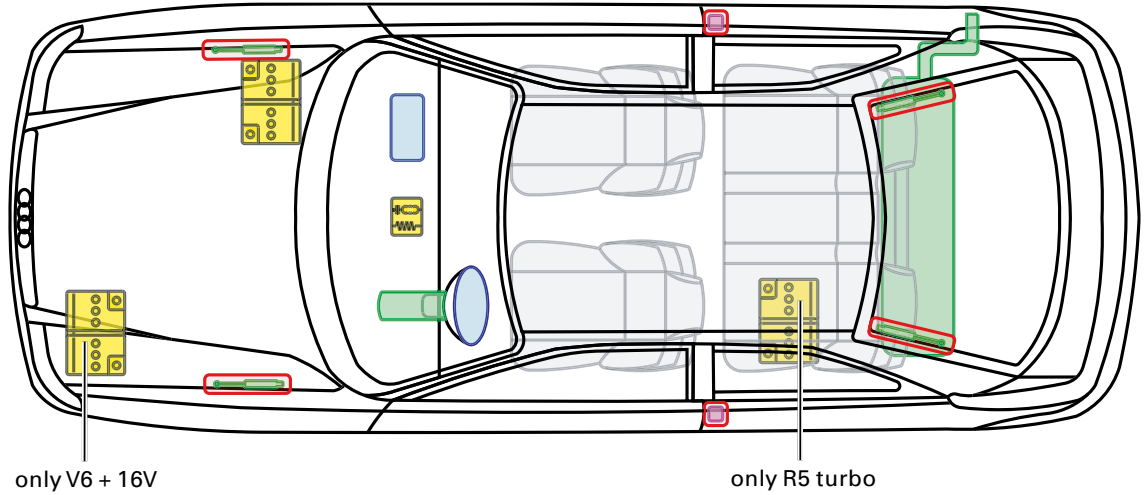
	Airbag		Reinforcement		Control module
	Gas generator		Rollover protection		Battery
	Pre-tensioner		Gas-pressure damper		Fuel tank

This document is a subject to the copyright of AUDI AG, Ingolstadt. Any duplication, distribution, storage, communication, broadcast and reproduction or transmission of the contents without written approval from AUDI AG is prohibited.



▶ Audi 80 / S2 Coupé

1988 – 1996



Legend

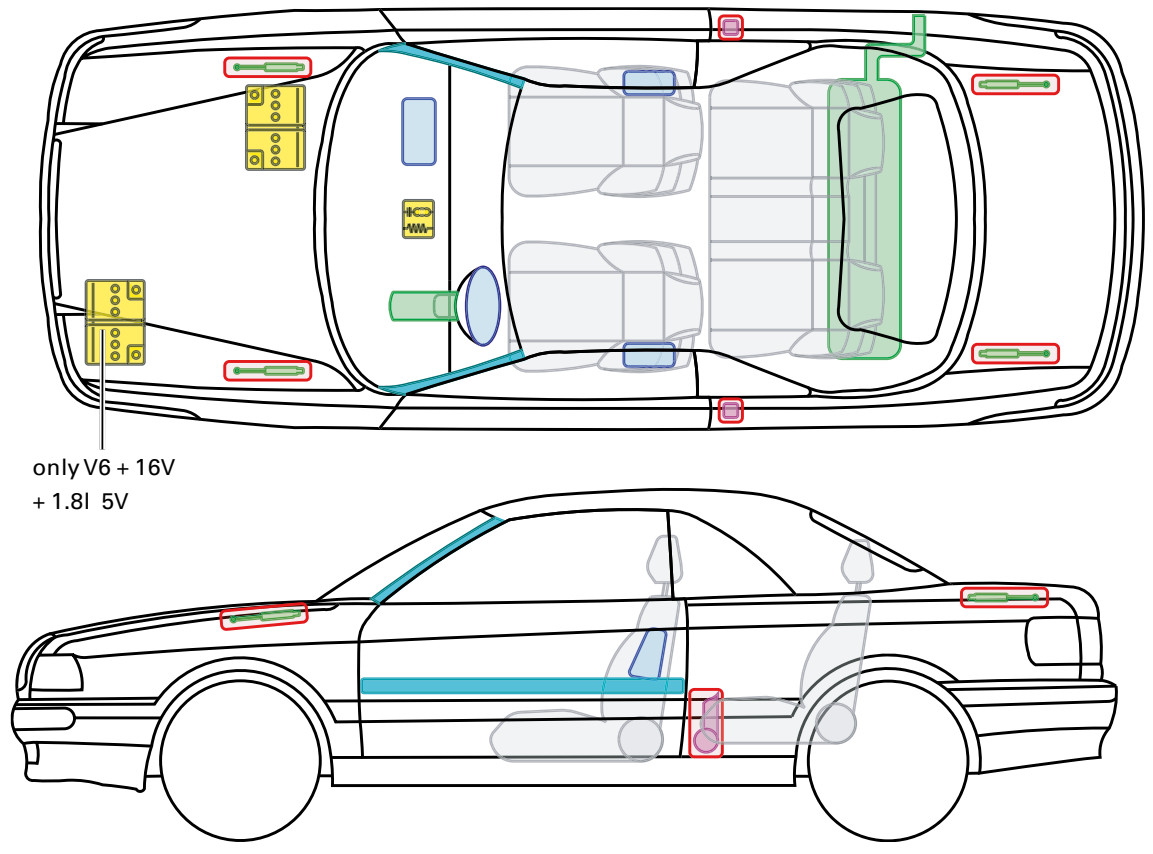
	Airbag		Reinforcement		Control module
	Gas generator		Rollover protection		Battery
	Pretensioner		Gas-pressure damper		Fuel tank

This document is a subject to the copyright of AUDI AG, Ingolstadt. Any duplication, distribution, storage, communication, broadcast and reproduction or transmission of the contents without written approval from AUDI AG is prohibited.



▶ Audi 80 Cabriolet

1991 – 2000



only V6 + 16V
+ 1.8l 5V

Legend

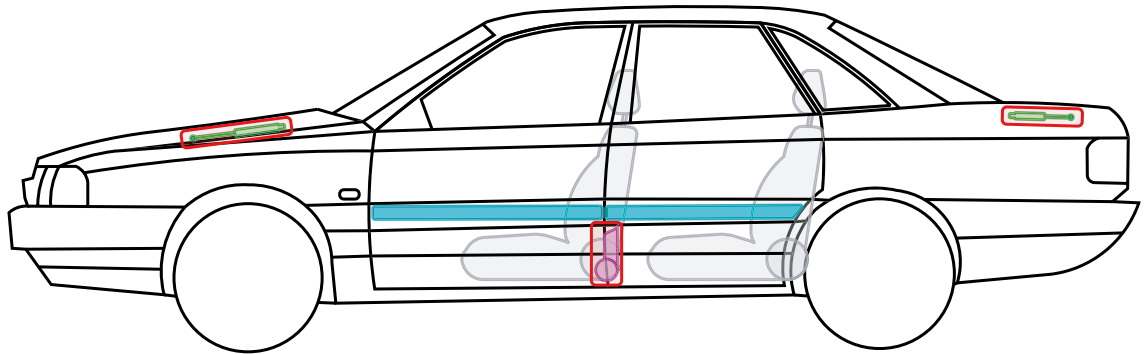
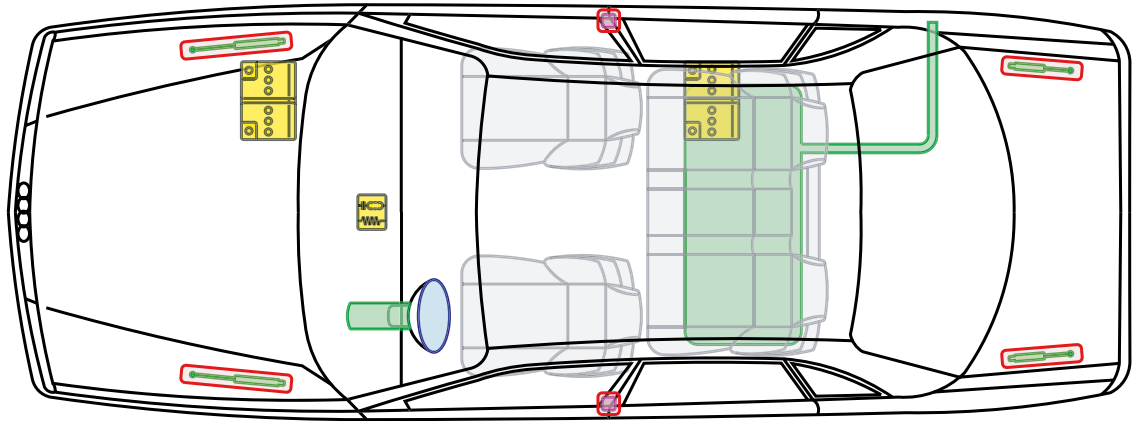
	Airbag		Reinforcement		Control module
	Gas generator		Rollover protection		Battery
	Pre-tensioner		Gas-pressure damper		Fuel tank

This document is a subject to the copyright of AUDI AG, Ingolstadt. Any duplication, distribution, storage, communication, broadcast and reproduction or transmission of the contents without written approval from AUDI AG is prohibited.



▶ Audi 100

1988 – 1991



Legend

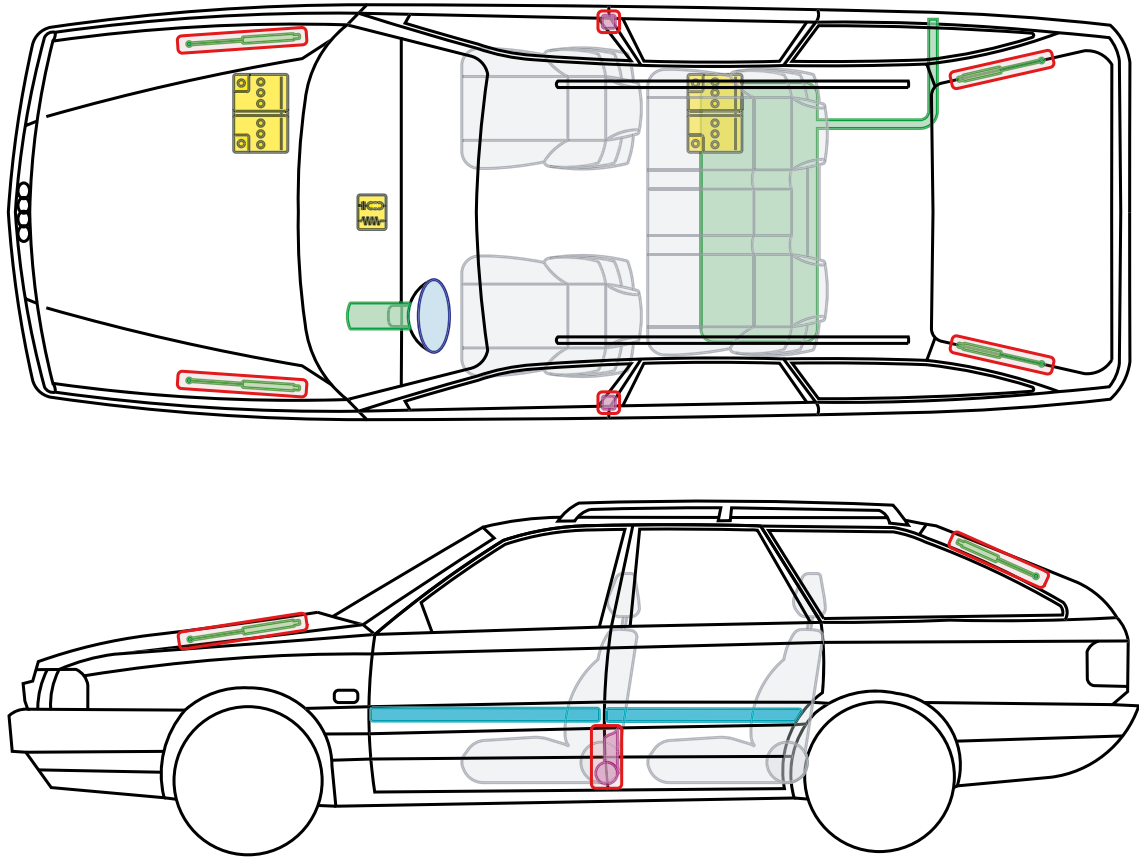
	Airbag		Reinforcement		Control module
	Gas generator		Rollover protection		Battery
	Pre-tensioner		Gas-pressure damper		Fuel tank

This document is a subject to the copyright of AUDI AG, Ingolstadt. Any duplication, distribution, storage, communication, broadcast and reproduction or transmission of the contents without written approval from AUDI AG is prohibited.



▶ Audi 100 Avant

1988 – 1991



Legend

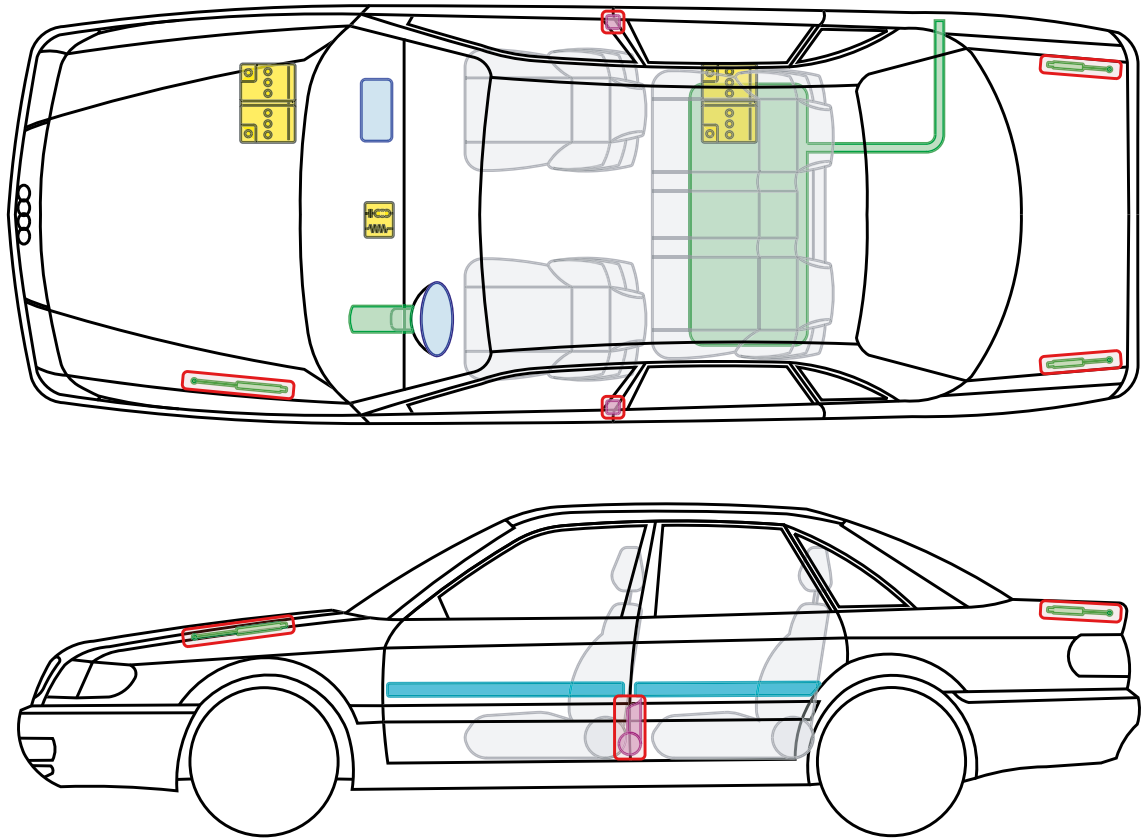
	Airbag		Reinforcement		Control module
	Gas generator		Rollover protection		Battery
	Pre-tensioner		Gas-pressure damper		Fuel tank

This document is a subject to the copyright of AUDI AG, Ingolstadt. Any duplication, distribution, storage, communication, broadcast and reproduction or transmission of the contents without written approval from AUDI AG is prohibited.



▶ Audi 100 / A6 / S6

1991 – 1997



Legend

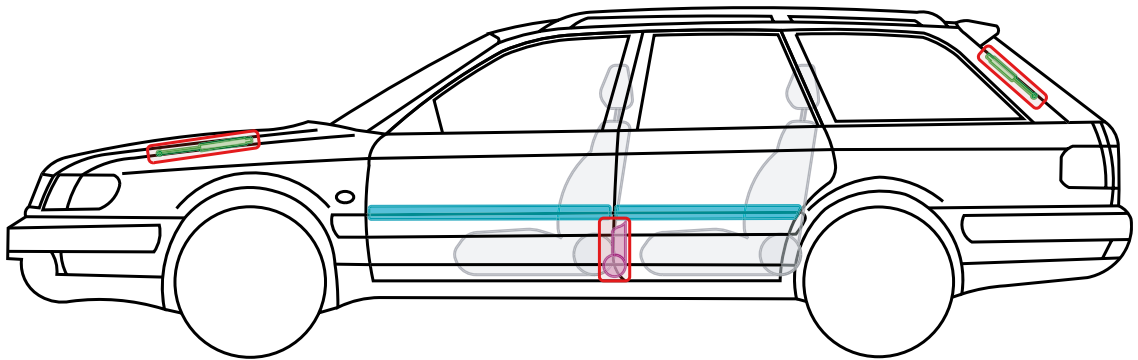
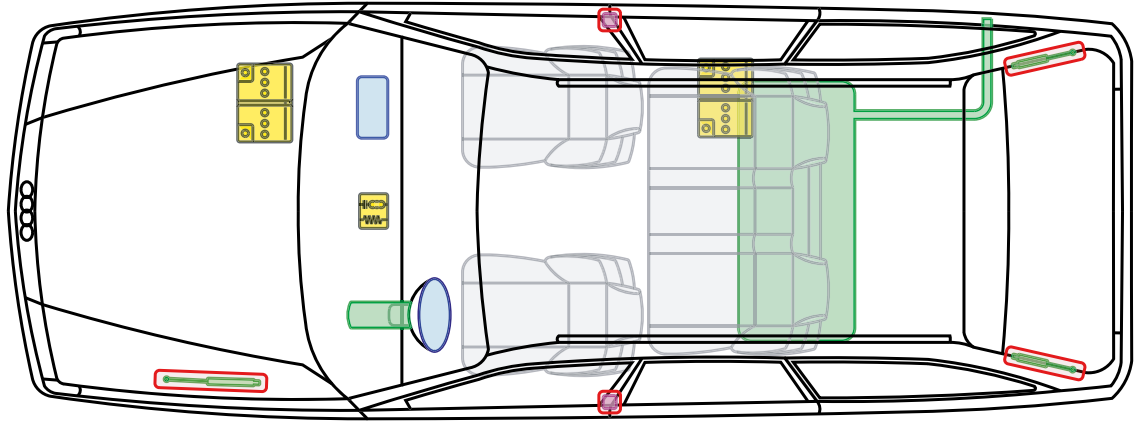
	Airbag		Reinforcement		Control module
	Gas generator		Rollover protection		Battery
	Pre-tensioner		Gas-pressure damper		Fuel tank

This document is a subject to the copyright of AUDI AG, Ingolstadt. Any duplication, distribution, storage, communication, broadcast and reproduction or transmission of the contents without written approval from AUDI AG is prohibited.



▶ Audi 100 / A6 / S6 Avant

1991 – 1997



Legend

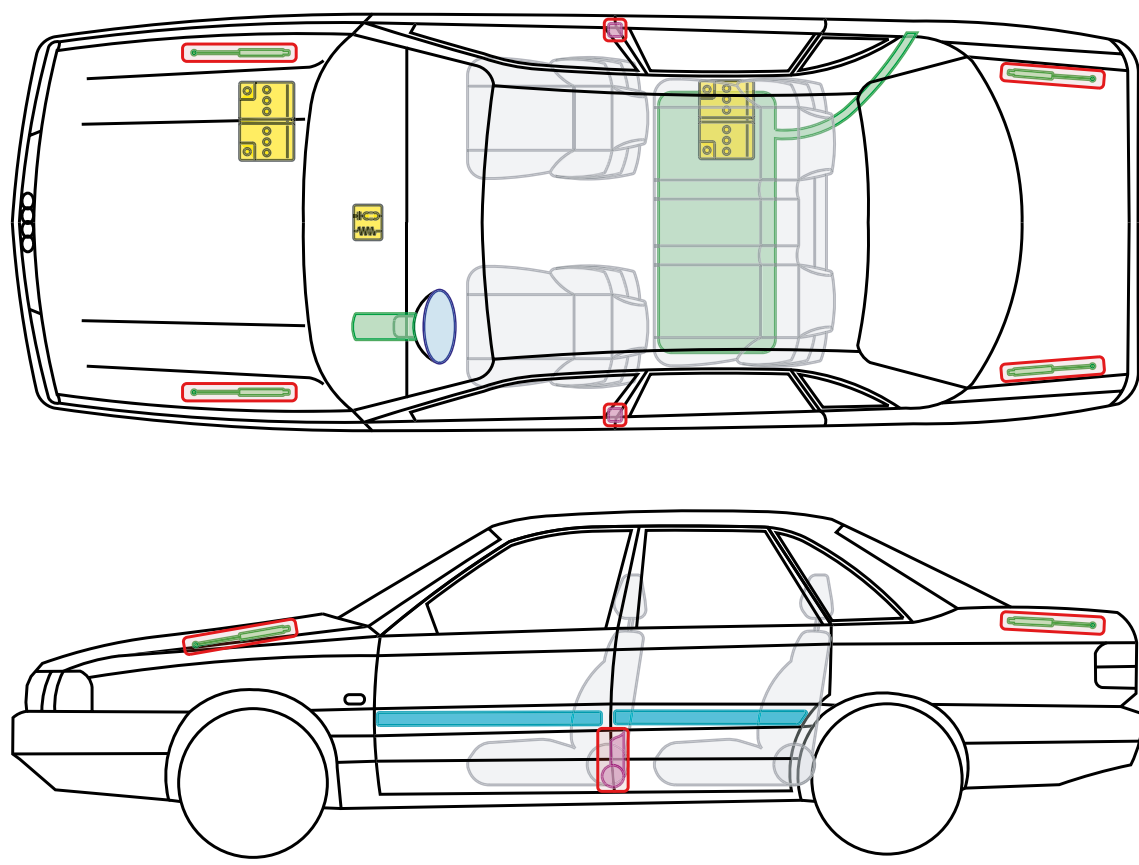
	Airbag		Reinforcement		Control module
	Gas generator		Rollover protection		Battery
	Pretensioner		Gas-pressure damper		Fuel tank

This document is a subject to the copyright of AUDI AG, Ingolstadt. Any duplication, distribution, storage, communication, broadcast and reproduction or transmission of the contents without written approval from AUDI AG is prohibited.

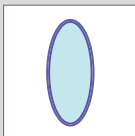
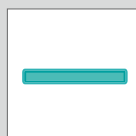

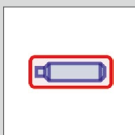

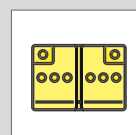
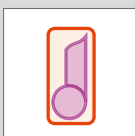
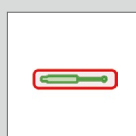



▶ Audi 200 / V8

1984 – 1991



Legend

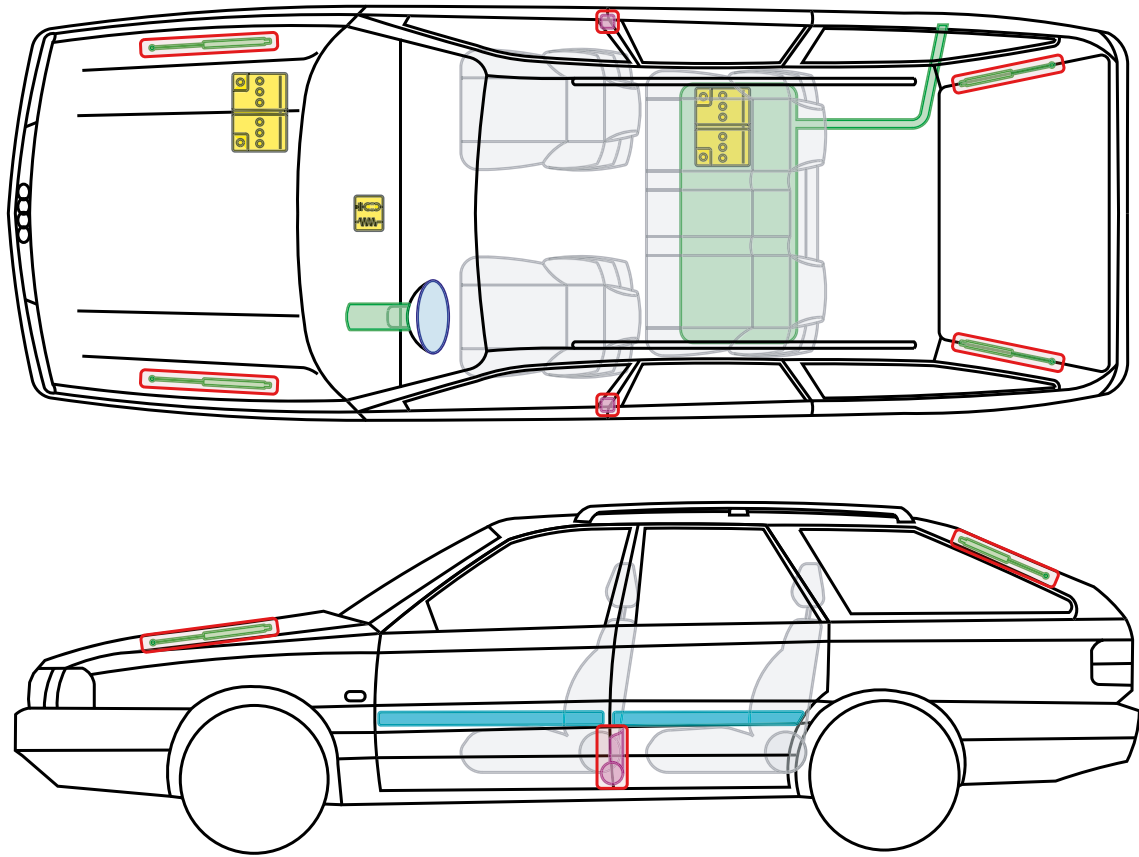
	Airbag		Reinforcement		Control module
	Gas generator		Rollover protection		Battery
	Pre-tensioner		Gas-pressure damper		Fuel tank

This document is a subject to the copyright of AUDI AG, Ingolstadt. Any duplication, distribution, storage, communication, broadcast and reproduction or transmission of the contents without written approval from AUDI AG is prohibited.

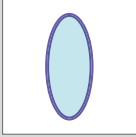


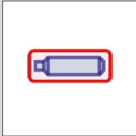

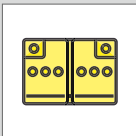
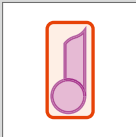




▶ Audi 200 Avant

1985 – 1991



Legend

	Airbag		Reinforcement		Control module
	Gas generator		Rollover protection		Battery
	Pre-tensioner		Gas-pressure damper		Fuel tank

This document is a subject to the copyright of AUDI AG, Ingolstadt. Any duplication, distribution, storage, communication, broadcast and reproduction or transmission of the contents without written approval from AUDI AG is prohibited.